

# **Spare Parts List**

**(1.009-082.0, 1.009-083.0, 1.009-087.0, 1.009-088.0  
1.009-089.0, 1.009-090.0, 1.009-093.0)**

## **Floor Polisher**

From Serial Number (Ref No1\*)

\*See Serial Number Page  
or call manufacturer

## *How to Use this Spare Parts List*

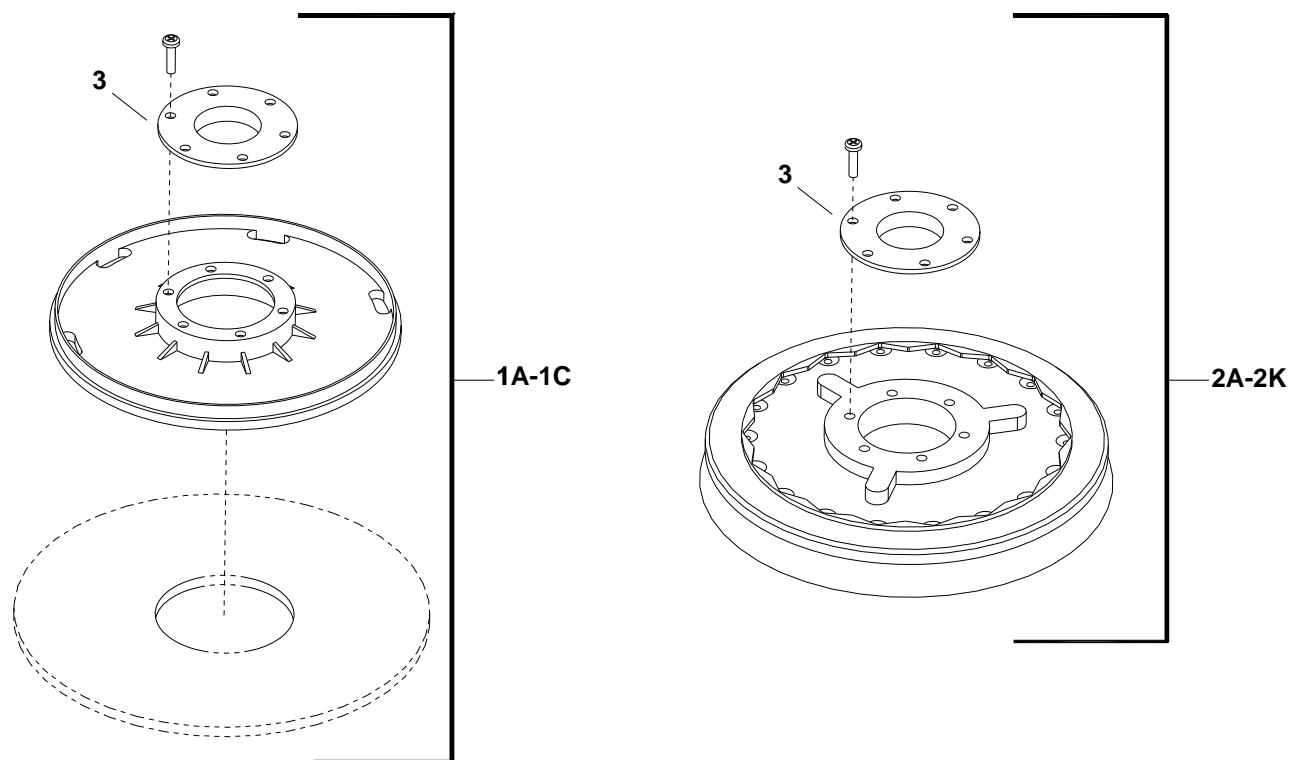
---

The PARTS LIST section contains assembled parts illustrations and corresponding parts list. The parts lists include a number of columns of information:

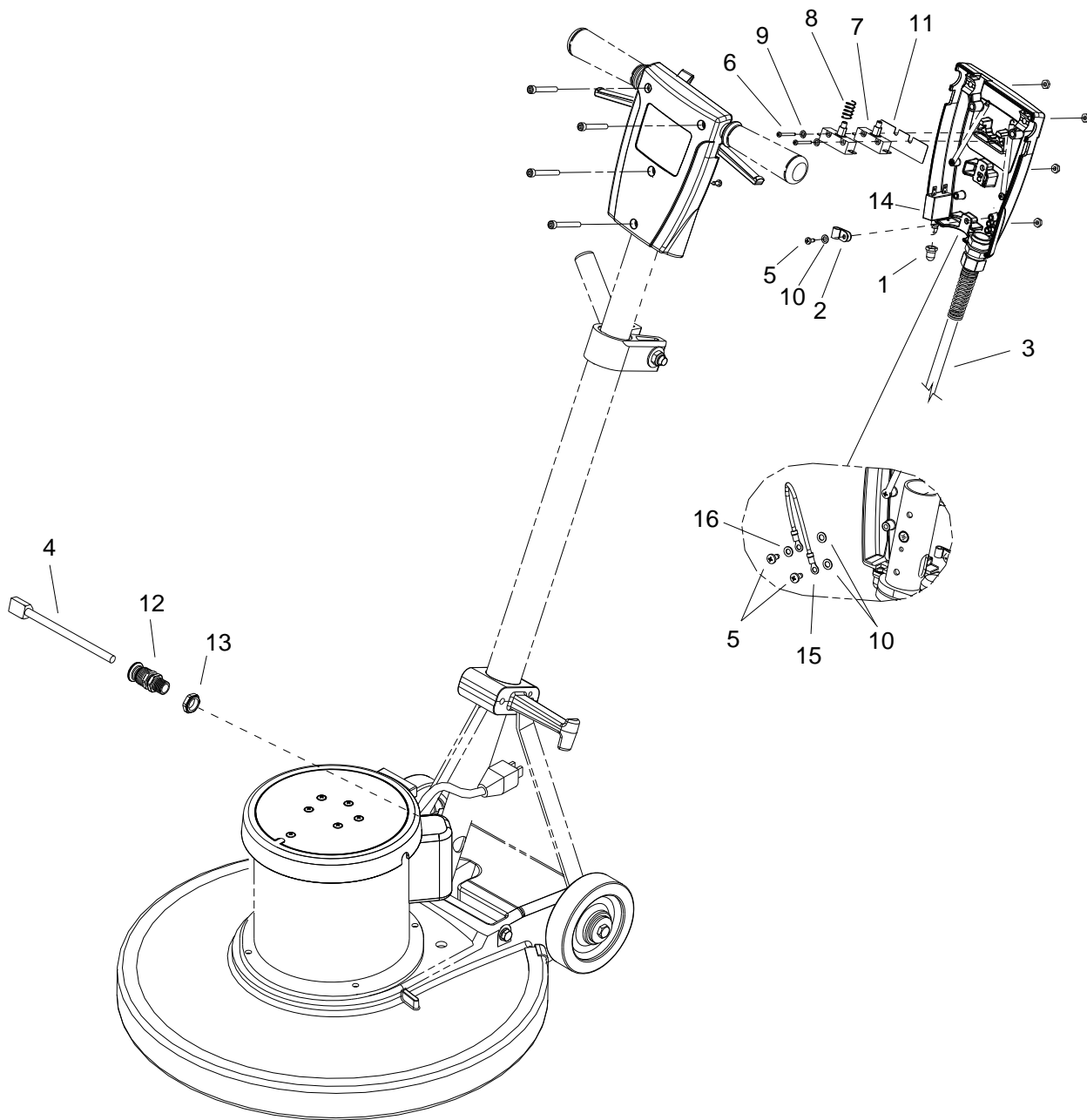
- REF - column refers to the reference number on the parts illustration.
- PART NO. - column lists the part number for the part.
- QTY - column lists the quantity of the part used in that area of the machine.
- DESCRIPTION - column is a brief description of the part.
- SERIAL NO. FROM - If this column has an (\*) and a Reference number, see the SERIAL NUMBERS page in the back of your manual. If column has two asterisk (\*\*), call manufacturer for serial number. The serial number indicates the first machine the part number is applicable to. The main illustration shows the most current design of the machine. When a boxed illustration is shown, it displays the older design.
- NOTES - column for information not noted by the other columns.

**NOTE:** *If a service or option kit is installed on your machine, be sure to keep the KIT INSTRUCTIONS which came with the kit. It contains replacement parts numbers needed for ordering future parts.*

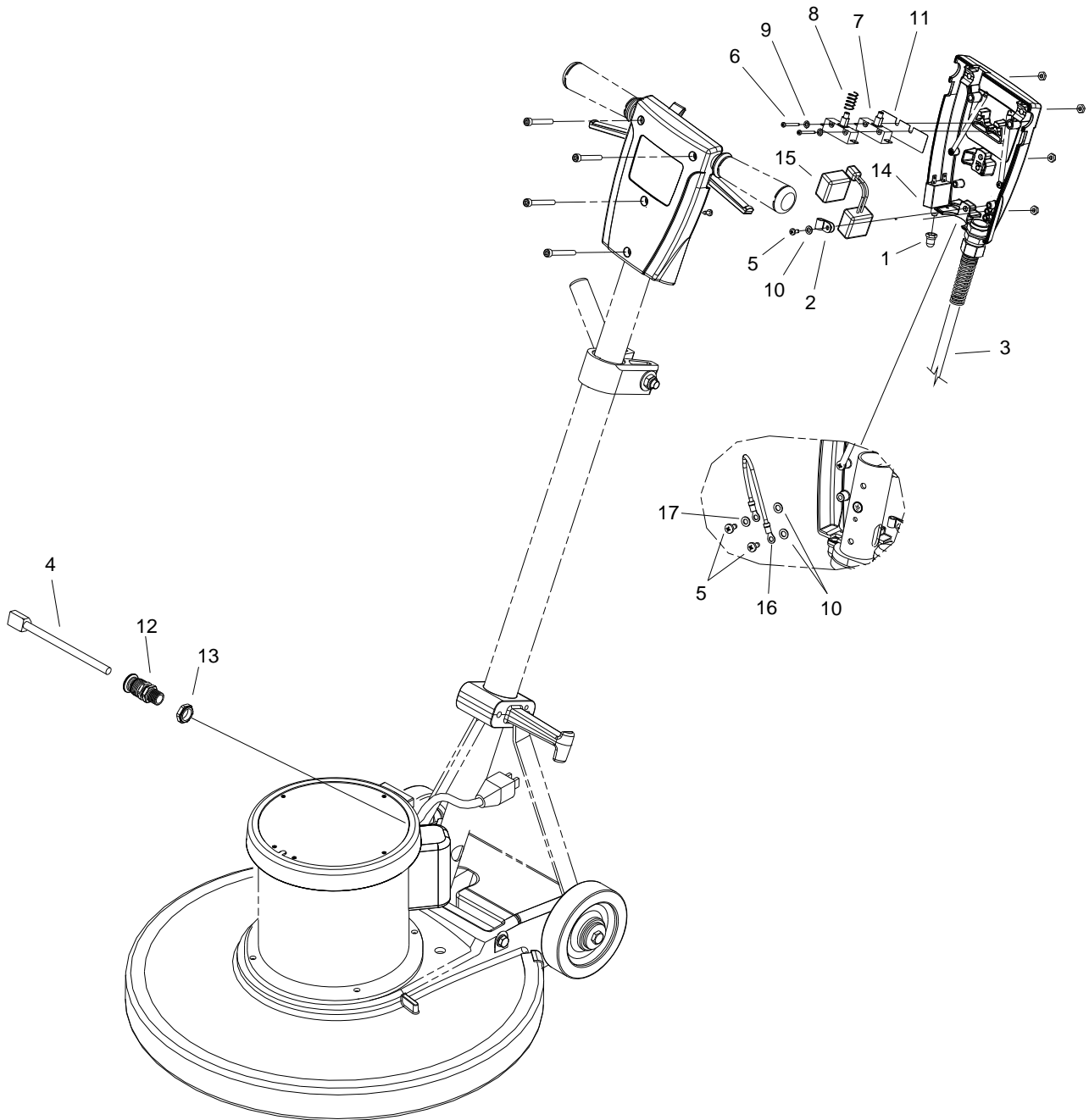
**How to Use this Spare Parts List . . . . . 2**  
**Table of Contents . . . . . 3**  
Brush/Pad Driver . . . . . 4  
Electrical - 120V . . . . . 6  
Electrical - 230V . . . . . 8  
Deck . . . . . 10  
Handle . . . . . 12  
Motor . . . . . 14  
Wiring - 120V . . . . . 16  
Wiring - 230V . . . . . 17



REF	PART NO.	QTY	DESCRIPTION	SERIAL NO. FROM	NOTES:
1A	86000120	-	PAD DRIVER, 17" POLISHER		
1B	86284290	-	PAD DRIVER, 19" HS		
1C	86284300	-	PAD DRIVER, 20" POLISHER		
2A	86000140	-	BRUSH, 17" NYL. POL. W/CLT.PLT		
2B	86283800	-	BRUSH, 17" NYL.SCRUB W/CLT.PLT		
2C	86000130	-	BRUSH, 17" MILD GRIT W/CLT.PLT		
2D	86283710	-	BRUSH, 17" AGG. MALGRIT W/C.P		
2E	86000110	-	BRUSH, 17" POLYPRO W/CLT. PLT		
2F	86283790	-	BRUSH, 20" NYL.POL.W/CLT.PLT.SFT		
2G	86283770	-	BRUSH, 20" NYL.SCRUB W/CLT.PLT		
2H	86283780	-	BRUSH, 20" MILD GRIT W/CLT.PLT		
2J	86283690	-	BRUSH, 20" AGG. MALGRIT W/C.P.		
2K	86283700	-	BRUSH, 18" POLYPRO W/CLT. PLT		
3	86284350	-	PLATE, PAD CLUTCH		

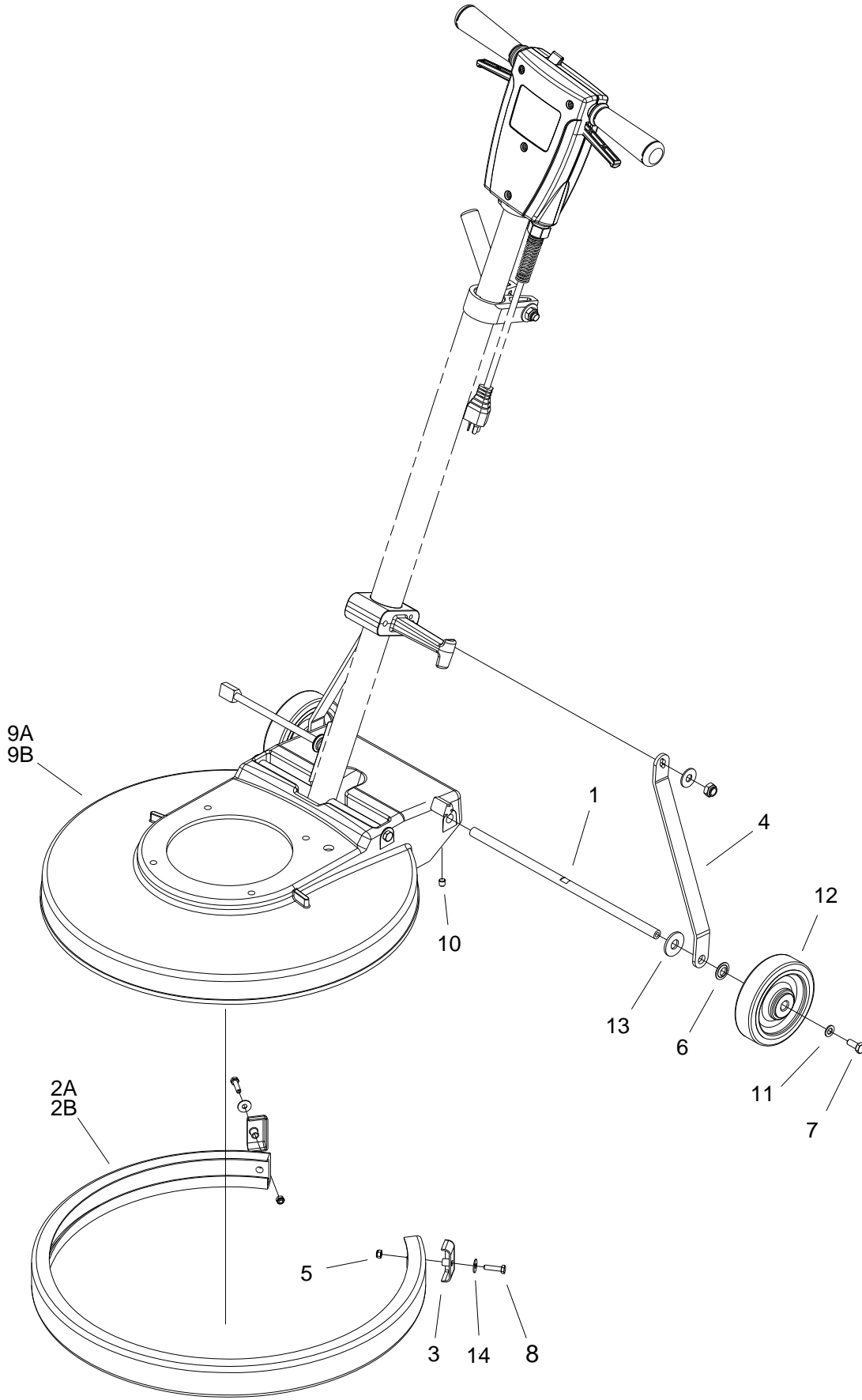


REF	PART NO.	QTY	DESCRIPTION	SERIAL NO. FROM	NOTES
1	86002010	1	BOOT, 3/8 CIRCUIT BREAKER		
2	86198450	1	CLAMP, 5/16 NYLON		
3	86369090	1	CORD SET, ST, 14/50', YLW		
4	86216920	1	CORDSET, 14/3 X 52 IN, SJT, BLK		
5	86288450	3	SCR, M4.8 X 10 HHTF TYPE B		
6	86136780	2	SCR, M3.5 X 40 PHTF		
7	86007110	2	SWITCH, 25A SPST 125-250V SNAP		
8	86224750	1	SPRING, COMP, .48OD X .91		
9	86137290	2	WASHER, M4 LOCK		
10	86137330	3	WASHER, M5 LOCK		
11	86215140	1	BARRIER SHEET		
12	86224930	1	STRAIN RELIEF, 14/3 STRAIGHT		
13	86224300	1	SPACER, POLISHER HANDLE		
14	86312460	1	BREAKER, 14A, VDE CIRCUIT		
15	86352480	1	WIRE, 14AWG, #10R X #10R, YLW W/GRN		
16	86173250	1	WASHER, M5, FLAT, ISO7089, SS		

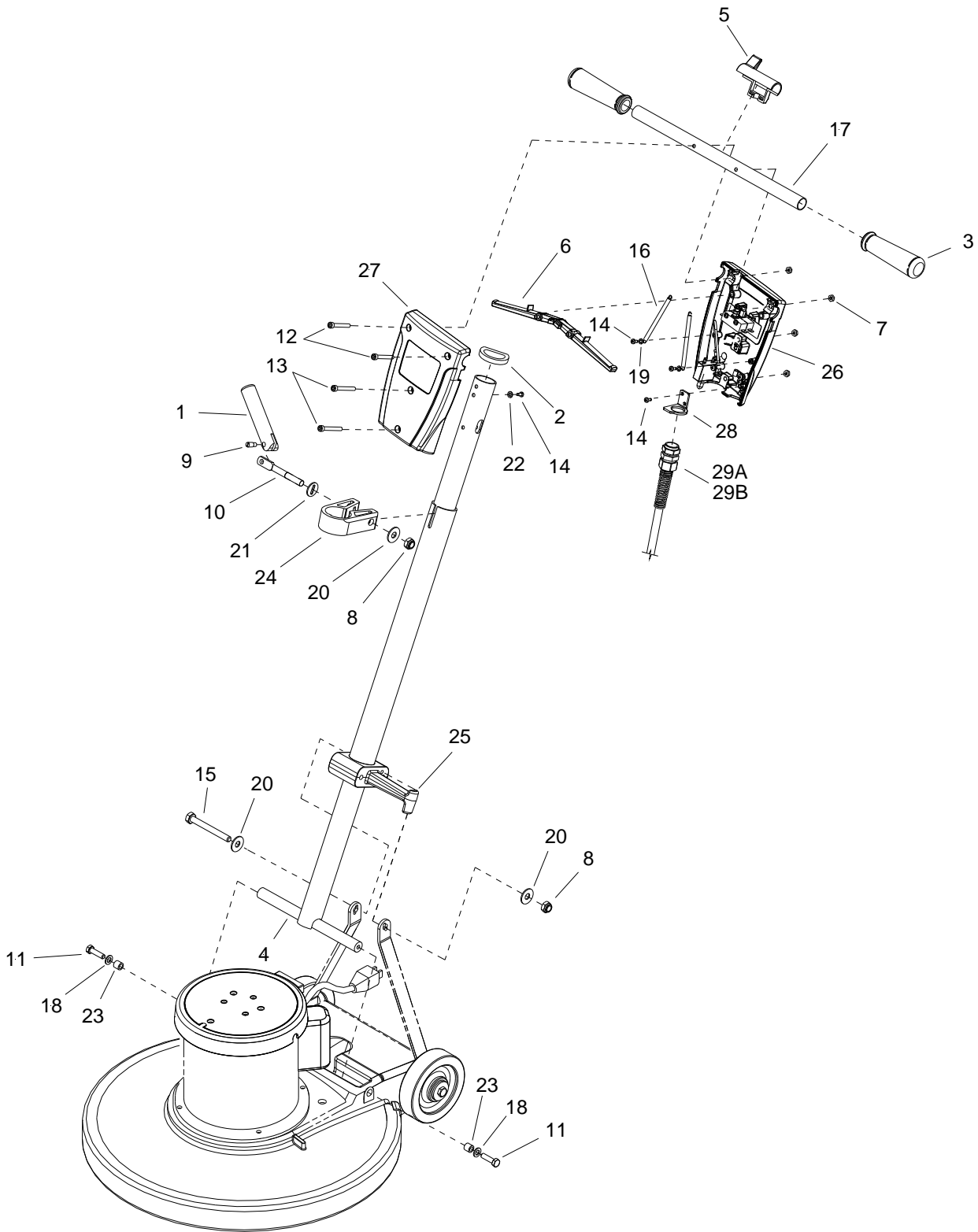




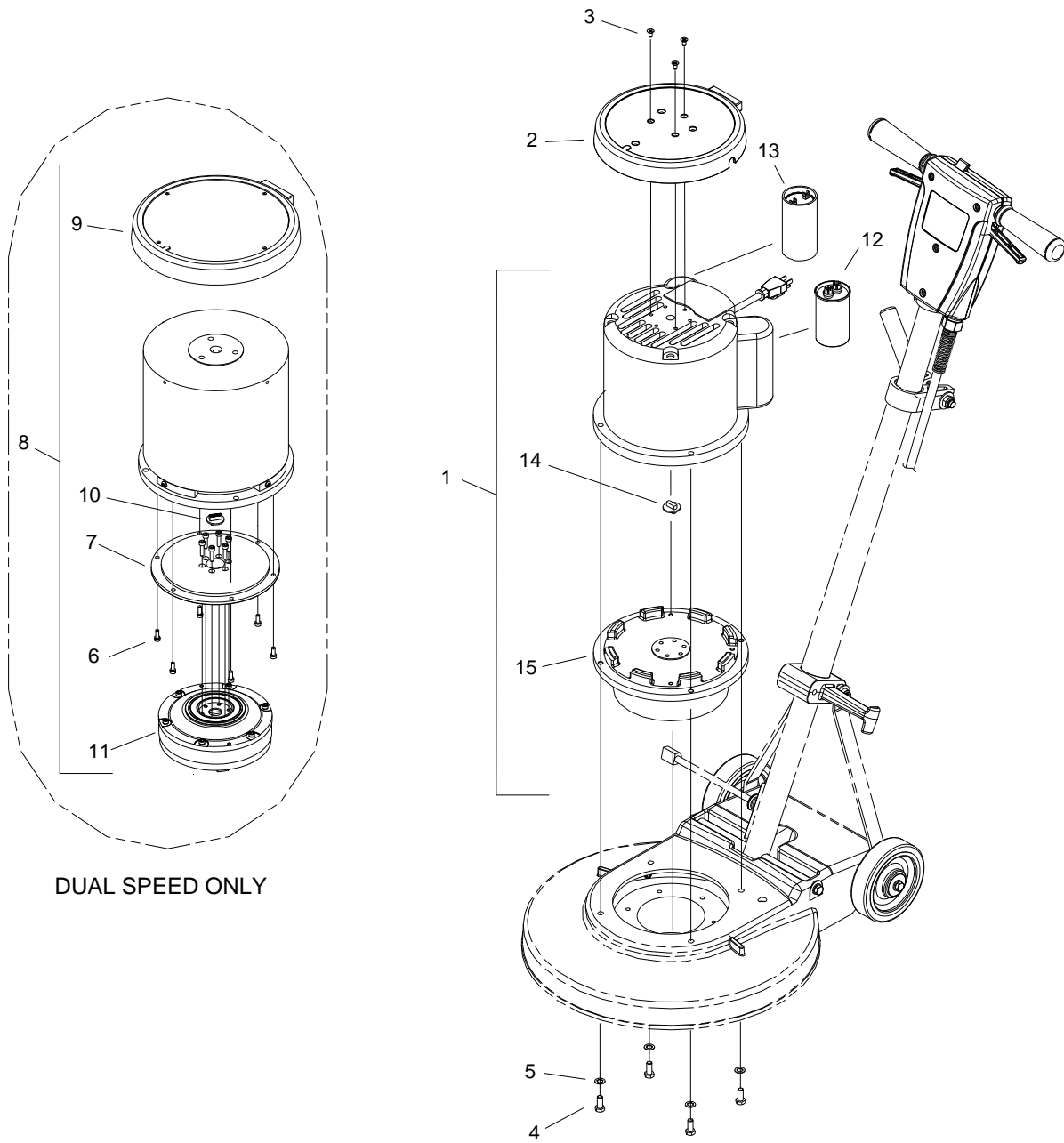
REF	PART NO.	QTY	DESCRIPTION	SERIAL NO. FROM	NOTES
1	86002010	1	BOOT, 3/8 CIRCUIT BREAKER		
2	86198450	1	CLAMP, 5/16 NYLON		
3	86369110	-	CORD SET, EURO,75', BLK		
4	86216920	1	CORDSET, 14/3 X 52 IN, SJT, BLK		
5	86288450	3	SCR, M4.8 X 10 HHTF TYPE B		
6	86136780	2	SCR, M3.5 X 40 PHTF		
7	86007110	2	SWITCH, 25A SPST 125-250V SNAP		
8	86224750	1	SPRING, COMP, .48OD X .91		
9	86137290	2	WASHER, M4 LOCK		
10	86137330	3	WASHER, M5 LOCK		
11	86215140	1	BARRIER SHEET		
12	86224930	1	STRAIN RELIEF, 14/3 STRAIGHT		
13	86224300	1	SPACER, POLISHER HANDLE		
14	86312530	1	BREAKER, CIRCUIT 10A, VDE		
15	86217770	1	EMC FILTER ASSY, MB2000I		
16	86352480	1	WIRE, 14AWG, #10R X #10R, YLW W/GRN		
17	86173350	1	WASHER, M5, FLAT, ISO7089, SS		
18	86368870	1	BRKT, STRAIN RELIEF MT		
19	86365760	1	STRAIN RELIEF, METAL, SMALL		



REF	PART NO.	QTY	DESCRIPTION	SERIAL NO. FROM	NOTES
1	86214930	1	AXLE, MAIN POLISHER		
2A	86216340	-	BUMPER, EXTRUSION 41.0"		BP17X, BPD17X, U17X
2B	86216350	-	BUMPER, EXTRUSION 50.8"		BP20X, UDS20X, BPD20X, U20X,
3	86216600	2	CAP, EXTRUSION		
4	86221860	2	LINK, HANDLE ADJUST		
5	86271550	2	NUT, M6 X 1 NYLOCK		
6	86222270	2	NUT, PUSH FLAT RD .51 ID		
7	86136640	2	SCR, M8-1.25 X 20 HHMS ZNPLT		
8	86372780	2	SCREW, M6-1 X 22, HHCS, BLK		
9A	86288960	1	DECK, 17 IN POLISHER, GRAY		BP17X, BPD17X
9B	86288970	1	DECK, 20 IN POLISHER, GRAY		BP20X, BPD20X
10	86288740	1	SET SCR, 8MMX1.25X8MM CUP PT		
11	86137280	2	WASHER, M8 FLAT DIN125A PLT		
12	86226020	2	WHEEL, 5D X 1.25 X 13MMID GRY		
13	86225720	2	WASHER, 14MMID X 36MMOD		
14	86137340	2	WASHER, M6 FLAT BLK		



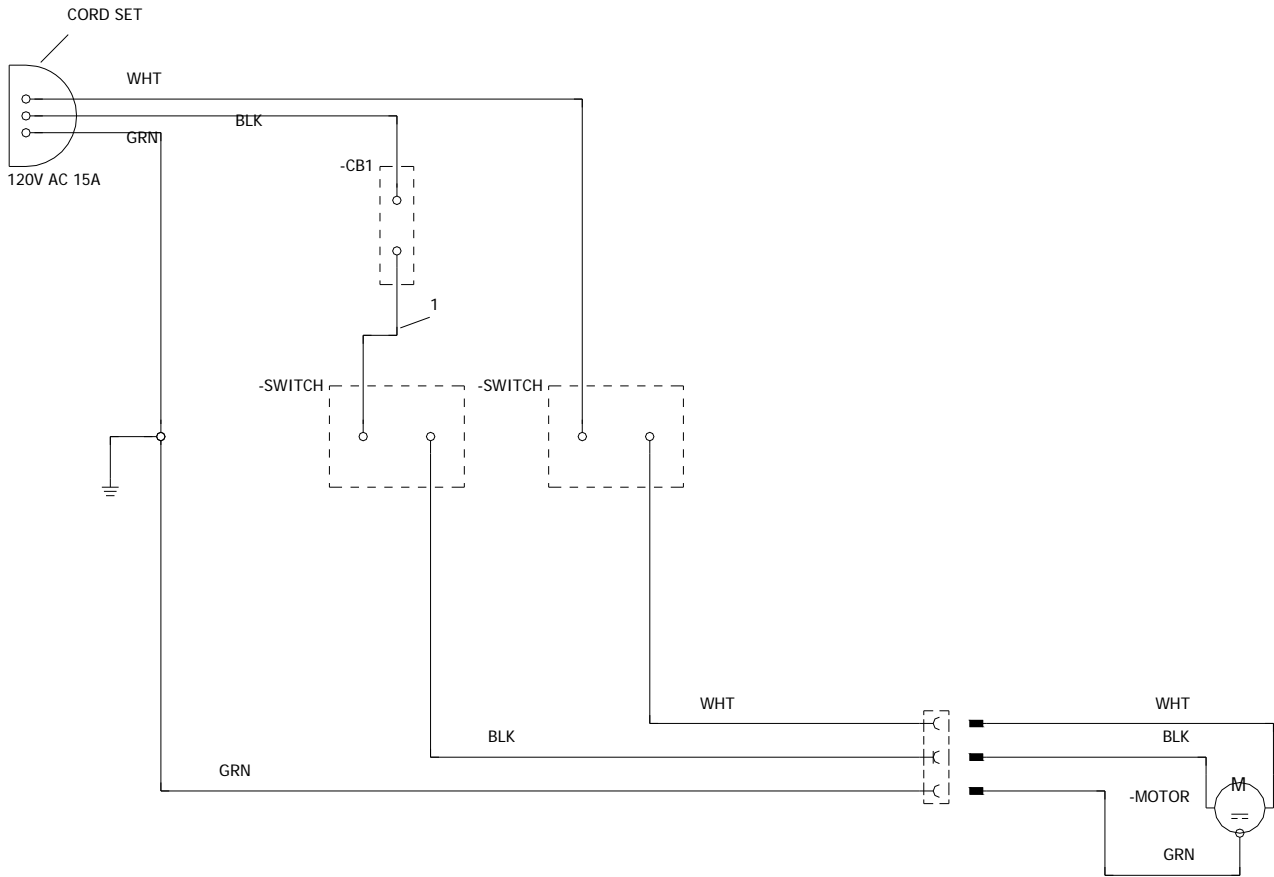
REF	PART NO.	QTY	DESCRIPTION	SERIAL NO. FROM	NOTES
1	86215130	1	BAR, HANDLE ADJUST		
2	86366010	1	BUMPER, FLOOR MACHINE		
3	86004070	2	GRIP, POLISHER HANDLE		
4	86218440	1	HANDLE, POLISHER		
5	86005150	1	LOCK, SAFETY HANDLE		
6	86005160	2	LEVER, SWITCH		
7	86136350	4	NUT, M6 HEX FINISH		
8	86136360	2	NUT, M10 X 1.5 HEX NYLOK PLTD		
9	86222560	1	PIN, PIVOT, HANDLE ADJUST		
10	86223550	1	ROD, HANDLE ADJUST		
11	86274230	2	SCR, M8 X 30 HHMS		
12	86136670	3	SCR, M6 X 45 SHCS, BLK		
13	86136680	2	SCR, M6 X 50 SHCS, BLK		
14	86288450	4	SCR, M4.8 X 10 HHTF TYPE B		
15	86136720	1	SCR, M10 X 1.50 X 90 HHCS PLTD		
16	86224740	2	SPRING, EXT, .50D X 3.5L		
17	86225370	1	TUBE, GRIP HANDLE		
18	86137280	2	WASHER, M8 FLAT DIN15A PLT		
19	86279080	2	WASHER, M4 FLAT DIN125A PLT		
20	86010720	3	WASHER, M10 X 30 PLTD		
21	86225710	1	WASHER, BEARING (HANDLE ADJ)		
22	86137330	1	WASHER, M5 LOCK SHAKEPROOF PLTD		
23	86224290	2	SPACER, .317ID X .50D X .44LG		
24	86310950	1	CLAMP, HANDLE		
25	86311800	1	TUBE ASSY, HANDLE ADJ.		
26	86365950	1	HOUSING, FM HANDLE, REAR		
27	86365960	1	HOUSING, FM HANDLE, FRONT		
28	86368870	1	BRKT, STRAIN RELIEF MT		
29A	86365780	1	STRAIN RELIEF, METAL, LARGE		120V ONLY
29B	86365760	1	STRAIN RELIEF, METAL, SMALL		230V ONLY



DUAL SPEED ONLY

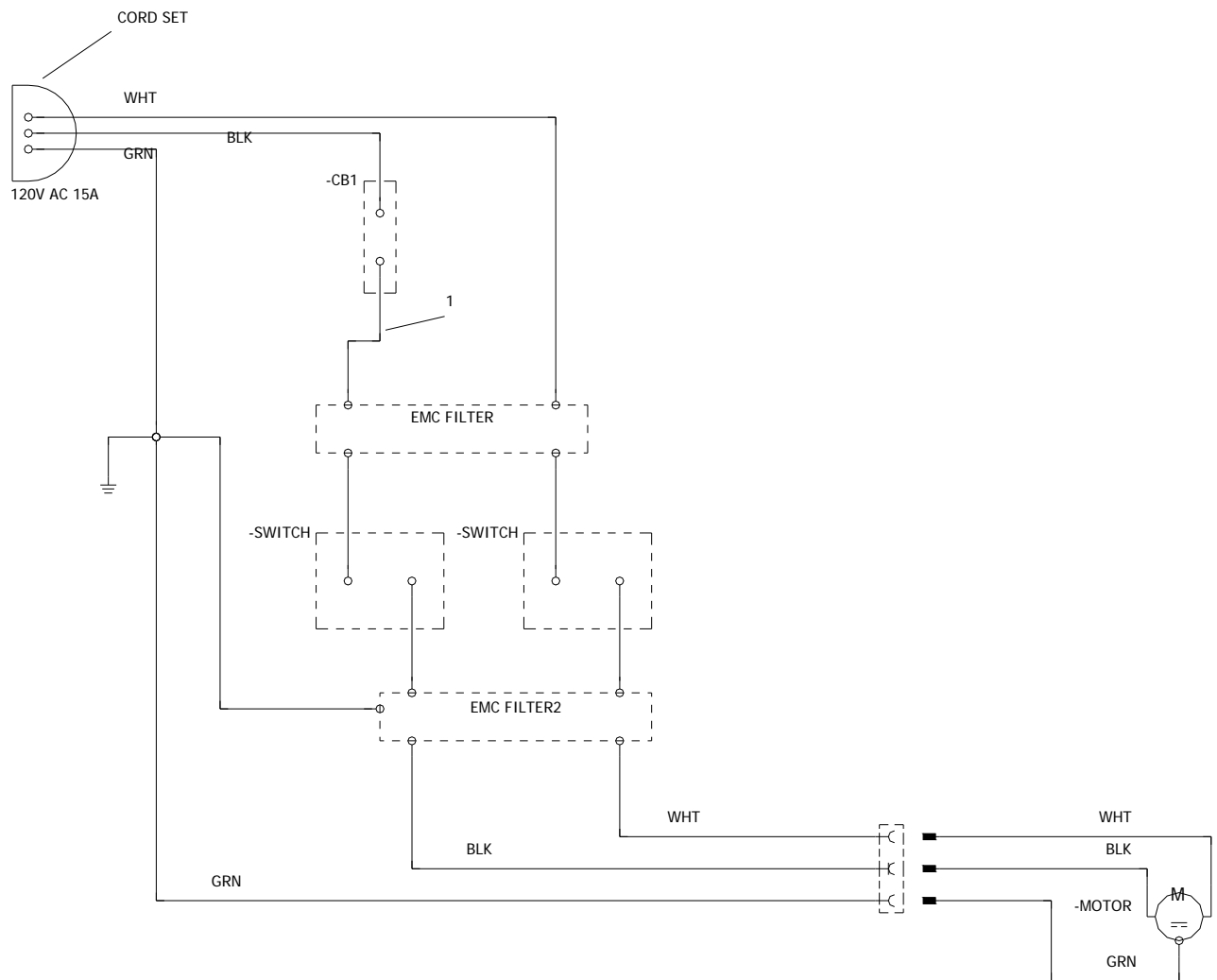
REF	PART NO.	QTY	DESCRIPTION	SERIAL NO. FROM	NOTES
1	86378300	1	MOTOR, ASM. 1.5HP 120V		BP17X, BP20X, U17X, U20X
2	86217490	1	COVER, MOTOR		BP17X, BP20X, U17X, U20X
3	86340550	3	SCREW, 10-32 X .75, FLHMS, ZNPLT		BP17X, BP20X, U17X, U20X
4	86136710	4	SCREW, 5/16-18 X 3/4 HHCS GR5 BLK		
5	86279090	4	WASHER, 5/16 LOCK INT STAR PLT		
6	86223700	6	SCREW, M5 X .8 X 15MM SHCS BLK		BPD20X, UDS20X, BPD17X
7	86223030	1	PLATE, ADAPTER POLISHER MOTOR		BPD20X, UDS20X, BPD17X
8A	86312290	1	MOTOR, 115V, 1.75HP 175/300RPM		BPD20X
8B	86312320	1	MOTOR, 230V, 1.75HP 175/300RPM		BPD17X
9	86217500	1	COVER ASM, MOTOR		BPD17X, UDS20X, BPD20X
10	86135540	1	COUPLING, MTR/GEAR BOX PLSHER		BPD20X, UDS20X, BPD17X
11	86348280	1	GEARBOX, POLISHER		BPD20X, UDS20X, BPD17X
12	86377940	1	CAPACITOR, RUN, $\mu$ F, 250VAC, 50/60 Hz		BP17X, BP20X, U17X, U20X
13	86377950	1	CAPACITOR, START, 450 $\mu$ F, 165VAC		BP17X, BP20X, U17X, U20X
14	86377960	1	COUPLING, SHEAR		BP17X, BP20X, U17X, U20X
15	86377970	1	GEARBOX, POLISHER		BP17X, BP20X, U17X, U20X

# Wiring - 120V



REF	PART NO.	QTY	DESCRIPTION	SERIAL NO. FROM	NOTES:
1	86311830	1	WIRE, 125MM, BLK/14, 76029X76029		





REF	PART NO.	QTY	DESCRIPTION	SERIAL NO. FROM	NOTES:
1	86311830	1	WIRE, 125MM, BLK/14, 76029X76029		

*Serial Number*

---

REF. NO.	MODEL: SERIAL #
1	**

